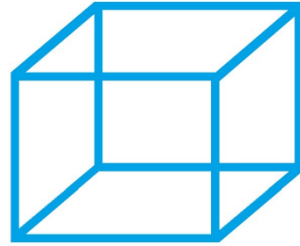


The Dual Level Storage Locker



Model Number : JDLL 5300

Product Summary

The New Zealand made JALOC Dual Level – folded sheet metal locker unit.

The Dual Level Storage locker includes two levels of storage.

The upper level, 2.8 m³ is separated from the lower level with a folded reinforced sheet metal base which is removable if required.

Access to the upper level is through a lifting door supported by two gas filled lifting struts fitted to each end of the door. This makes the opening process of lifting the door very easy.

The lower level, 2.8m³ is accessible through two hinged doors (left and right hinging) opening outwards.

The Dual level locker is made from strong folded electro galvanised panels designed to give the locker maximum integrity.

Panels are held together using mono steel rivets.

For outside use the locker is designed to prevent water ingress and constructed from galvanised sheet steel and stainless steel rivets.

The door hardware includes robust economical flush mounted pull handles and compression latch key operated barrel locking system. Zinc plated butt hinges, Gas Struts with equal pressure and right angle zinc plated ball sockets

M10 galvanised screw in height adjustable mounting feet on strategically placed to support the total loaded weight of the locker

A perforated top panel is available when the locker is situated under a buildings sprinkler system.

Visit our web site @ www.jaloc.co.nz

**THE SMART, SPACE-SAVING WAY TO KEEP BULKY ITEMS CLEAN, SECURE AND CLOSE-AT-HAND
MADE HERE IN NEW ZEALAND**

Design and materials.

Panels are made from .080 and .090 Electrogalv Sheets JIS G3313 0.06 OZ SECC PHOS & Dry.

Lockers are designed and manufactured to NZ standards using CNC Amarda sheet metal machinery.

Powder Coating Standard Dulux Dulon colours to meet locally approved applications

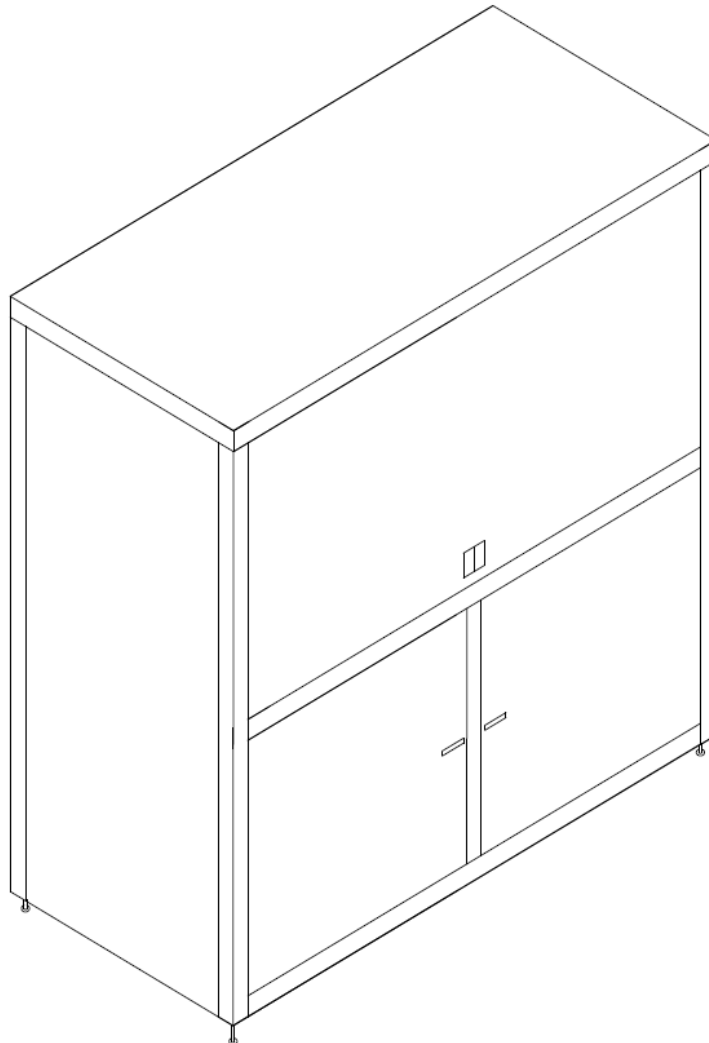
The unique JALOC design has been developed over the years to meet our customers demanding specifications of strength and reliability.



Visit our web site @ www.jaloc.co.nz

**THE SMART, SPACE-SAVING WAY TO KEEP BULKY ITEMS CLEAN, SECURE AND CLOSE-AT-HAND
MADE HERE IN NEW ZEALAND**

JDLL 5300- Dual Level Storage Locker



Functional Specs

- **Upper Compartment:** 2250mm Wide x 1050mm Deep x 1250mm High
- Internal volume is Approx. $2.95 m^3$
- Door opening 2130x1120mm high
- **Lower Compartment:** 2250mm Wide x 1050mm Deep x 1030mm High
- Internal volume is Approx. $2.43 m^3$
- Door opening Left and Right is 1030x1030mm high

Visit our web site @ www.jaloc.co.nz

THE SMART, SPACE-SAVING WAY TO KEEP BULKY ITEMS CLEAN, SECURE AND CLOSE-AT-HAND
MADE HERE IN NEW ZEALAND