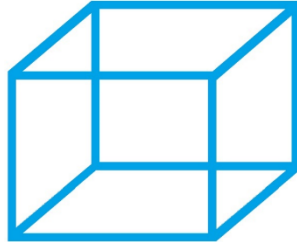


## The Over Bonnet Storage Locker



Model Number: JOBL2200

### Product Summary

Over the bonnet folded Sheetmetal locker unit

The Jaloc over the bonnet storage locker is a sliding door sheet metal storage Unit with one internal shelf level for better organising of the contents.

Spacious design capacity approximately 3 cubic meters.

The Jaloc over the bonnet locker will fit into most standard underground or Basement garages. Multiple units can be installed side by side.

The over the bonnet locker is made from strong duragalv metal construction.

Folded electro galvanised panels riveted together with mono steel rivets or Stainless steel rivets when used for outdoor use.

The design ensures weather protection or can be supplied with a top perforated Panel when used indoors under sprinkler systems.

Two sliding lockable doors for easy access and security.

The doors (two) slide on hardened nylon rollers secured with stainless steel axles.

The doors are fitted with flush mounted pull handle and compression latch key Operated barrel lock system.

Visit our web site @ [www.jaloc.co.nz](http://www.jaloc.co.nz)

**THE SMART, SPACE-SAVING WAY TO KEEP BULKY ITEMS CLEAN, SECURE AND CLOSE-AT-HAND  
MADE HERE IN NEW ZEALAND**

## Design and materials.

The Jaloc over bonnet locker is constructed from .95 Electro galv sheet spec JIS G3313 0.06OZ SECC PHOS&DRY

Manufactured in a clean New Zealand based factory environment using CNC technology.

Mono steel rivets and zinc bolts and nuts for indoor use.

304 stainless steel rivets bolts and nuts for outdoor use.

Nylon rollers 6sa, 6pla, 66sa.

Length 2270mm x depth 1050mm x height of locker not including legs 1200mm.

Cad designed for easy installation.

Various powder coating colours to choose from. Using Dulux approved application.

Extra shelving available.

Strong adjustable bolt on legs designed to meet different basement height restraints and bonnet heights.

Adjustable screw in feet or bolt on to concrete floor option.

Easily relocatable if moving to a new location

Optional extras.

Galvanised finish, hinged doors, keyless lockable system.

Dimensional changes to meet restricted space or alterations to accommodate building services.

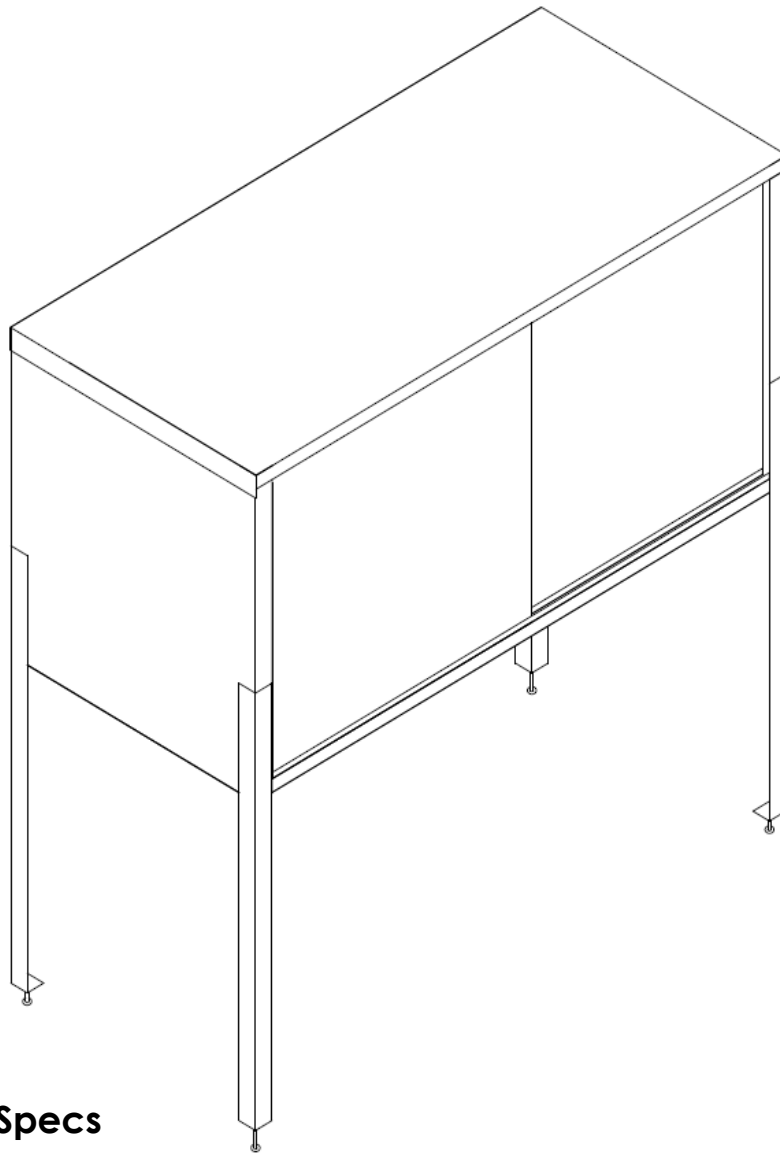
Perforated top panel for fire prevention.

Extra shelving

Multiple unit discounts available.



## JOBL2200 - The Over Bonnet Storage Locker



### Functional Specs

- 2270mm Wide x 1050mm Deep x 1200mm High
- Internal volume is Approx.  $2.86 m^3$
- The door openings Approx. 1000x1000mm

Visit our web site @ [www.jaloc.co.nz](http://www.jaloc.co.nz)

**THE SMART, SPACE-SAVING WAY TO KEEP BULKY ITEMS CLEAN, SECURE AND CLOSE-AT-HAND  
MADE HERE IN NEW ZEALAND**