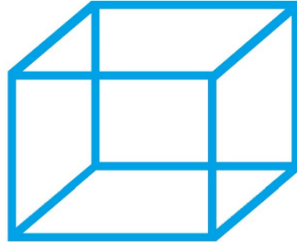


The Over Bonnet Storage Locker



Model Number: JOBL2200

Product Summary

Over the bonnet folded Sheetmetal locker unit.

Spacious design capacity approximately 3 cubic meters.

Single mid height, half width shelf.

Designed to fit into most underground or Basement car park spaces. Multiple units can be installed side by side.

The over the bonnet locker is made from strong duragalv metal construction.

Folded electro galvanised panels riveted together with mono steel rivets or Stainless steel rivets when used for outdoor use.

The design ensures weather protection or can be supplied with a perforated top panel when used indoors under sprinkler systems.

Two sliding lockable doors for easy access and security.

The doors (two) slide on hardened nylon rollers secured with stainless steel axles.

Doors are fitted with flush mounted pull handle and compression latch key operated barrel lock system.

Easily relocatable if moving to a new location.

Visit our web site @ www.jaloc.co.nz

**THE SMART, SPACE-SAVING WAY TO KEEP BULKY ITEMS CLEAN, SECURE AND CLOSE-AT-HAND
MADE HERE IN NEW ZEALAND**

Design and materials.

The Jaloc over bonnet locker is constructed from .95 Electro galv sheet spec JIS G3313 0.06OZ SECC PHOS&DRY

Manufactured in a clean New Zealand based factory environment using CAD and CNC technology.

Mono steel rivets and zinc bolts and nuts for indoor use.

304 stainless steel rivets bolts and nuts for outdoor use.

Nylon rollers 6sa, 6pla, 66sa.

Length 2270mm x depth 1050mm x height of locker not including legs 1200mm.

Surface finish is powder coating for appearance and durability. Dulux Duralloy colours by approved applicator are standard.

Strong adjustable bolt on legs designed to meet different basement height restraints and vehicle heights.

Screw Adjust feet level up to 70mm.

Optional extras:

Galvanised finish, hinged doors, keyless lockable system.

Dimensional changes to meet restricted space or alterations to accommodate building services.

Perforated top panel for fire sprinkler penetration.

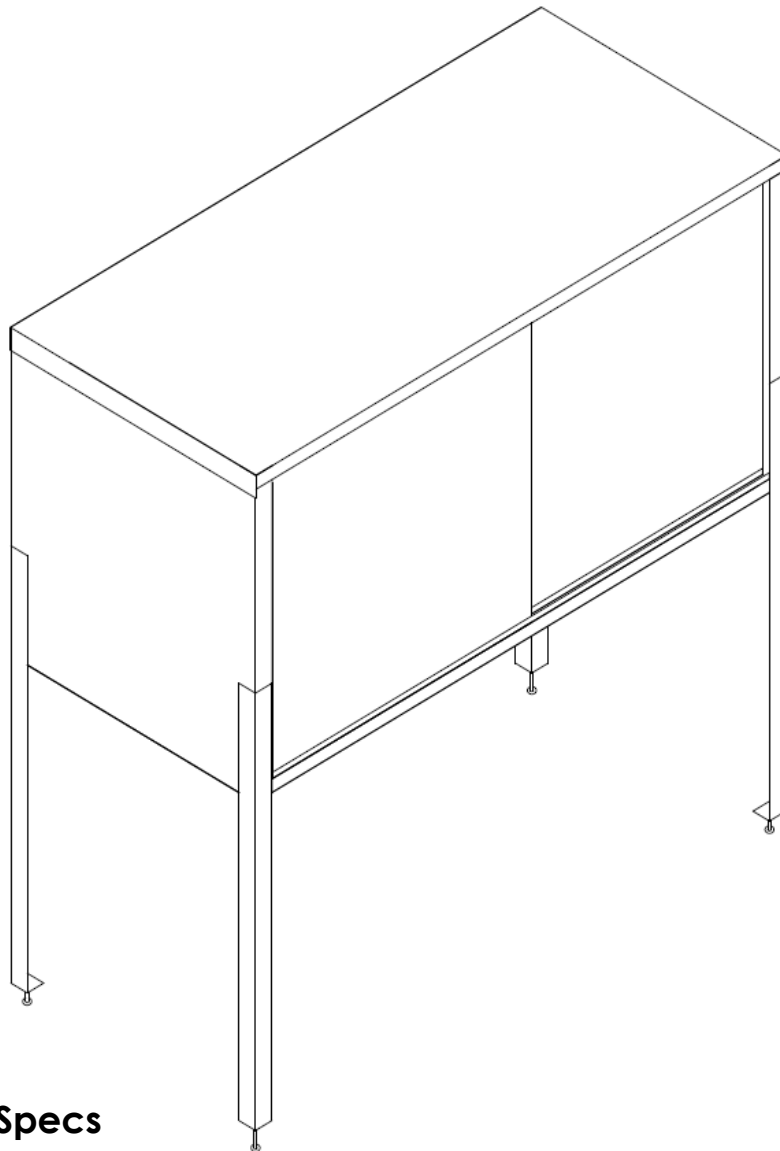
Extra or omitted shelving.



Visit our web site @ www.jaloc.co.nz

**THE SMART, SPACE-SAVING WAY TO KEEP BULKY ITEMS CLEAN, SECURE AND CLOSE-AT-HAND
MADE HERE IN NEW ZEALAND**

JOBL2200 - The Over Bonnet Storage Locker



Functional Specs

- 2270mm Wide x 1050mm Deep x 1200mm High
- Internal volume is Approx. $2.86 m^3$
- The door openings Approx. 1000x1000mm

Visit our web site @ www.jaloc.co.nz

**THE SMART, SPACE-SAVING WAY TO KEEP BULKY ITEMS CLEAN, SECURE AND CLOSE-AT-HAND
MADE HERE IN NEW ZEALAND**