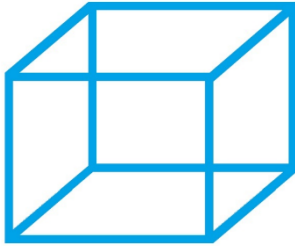


## Upright Storage Locker



Model Number, JURL1400H

### Product Summary

This New Zealand made Jaloc Upright - Folded Sheet metal Locker is architecturally suited for an apartment garage or basement carpark area.

The custom designed Jaloc Upright storage locker is a hinged door sheet metal storage cabinet with a single side shelf which can be positioned at different heights on the left hand side of the locker.

The upright locker is made from folded electro galvanised panels riveted together using mono steel rivets.

The locker can be manufactured for outdoor use by adapting the construction to prevent water ingress, using galvanised sheet metal panels and stainless steel rivets and fixings.

The locker can be fitted with an optional perforated top panel when installed under a building fire sprinklers.

The door hinges on hardened steel pins with nylon bushes.

The Upright locker uses a robust flush mounted rotating handle and a compression latch key operated barrel lock system, with a 3 point locking mechanism.

The locker height can be adjusted using galvanised screw in M10 adjustable feet.

Visit our web site @ [www.jaloc.co.nz](http://www.jaloc.co.nz)

**THE SMART, SPACE-SAVING WAY TO KEEP BULKY ITEMS CLEAN, SECURE AND CLOSE-AT-HAND  
MADE HERE IN NEW ZEALAND**

## **Design & Materials**

The locker is manufactured from Electro galvanised sheet (JIS G3313 0.06OZ SECC PHOS&DRY)

Steel Rivets – mono rivets or stainless steel rivets for outdoor use

304 Stainless button bolts and nuts

Hardened Steel Hinge Pins. Nylon Hinge Bushes.

Surface finish is powder coating for appearance and durability. Dulux Duralloy colours by approved applicator are standard.

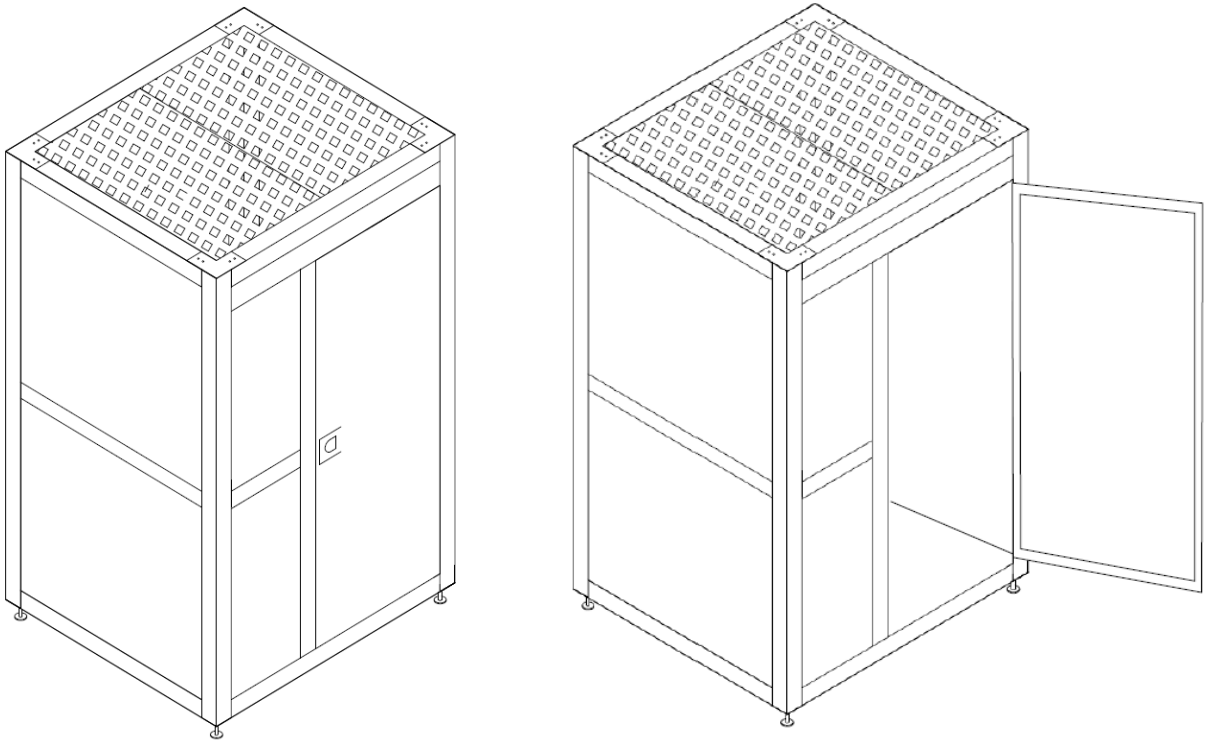
The Jaloc lockable storage cabinets are manufactured in New Zealand using CNC Technology and the latest sheet metal machinery.

The Jaloc proprietary design cabinets have been developed over the years to satisfy most apartment based storage needs.

Visit our web site @ [www.jaloc.co.nz](http://www.jaloc.co.nz)

**THE SMART, SPACE-SAVING WAY TO KEEP BULKY ITEMS CLEAN, SECURE AND CLOSE-AT-HAND  
MADE HERE IN NEW ZEALAND**

## JURL1400-Upright Storage Locker



### Functional Specs

- 1120mm Wide x 720mm Deep x 1800mm High
- Internal volume is Approx. 1.40  $m^3$
- The door opening is 600mm Wide x1650mm high

Visit our web site @ [www.jaloc.co.nz](http://www.jaloc.co.nz)

**THE SMART, SPACE-SAVING WAY TO KEEP BULKY ITEMS CLEAN, SECURE AND CLOSE-AT-HAND  
MADE HERE IN NEW ZEALAND**