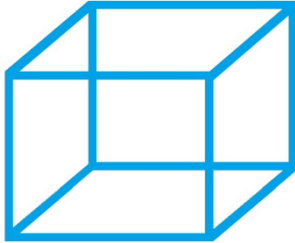


## SiteBox



Model Number JSB-1600-H

### Product Summary

Proprietary design, transportable heavy duty locker for tools and site specific equipment.

Engineered lift hooks and forklift points.

The Jaloc Sitebox has a secure lid with gas-assist lifting struts.

2 Padlock locking tabs on the lid.

Welded and enclosed steel pin hinge system for the lid.

Internal removable shelf.

Heavy gauge galvanised steel panels and reinforcing framework. Hardened machine threaded locking fasteners.

Dulux powdercoating colours, safety graphics, warning labels and company signage are optional.

Overlapping panel and lid design prevents rain water entering the interior.

Custom made to order, typical dimensions are 1700mm wide, 900mm deep, 1100mm high (1.6 cubic M)

Visit our web site @ [www.jaloc.co.nz](http://www.jaloc.co.nz)

**THE SMART, SPACE-SAVING WAY TO KEEP BULKY ITEMS CLEAN, SECURE AND CLOSE-AT-HAND  
MADE HERE IN NEW ZEALAND**

## **Design & Materials**

The locker is manufactured from 1.2mm Electro galvanised sheet.

Hardened steel bolts and nuts and rivets.

Surface finish is powder coating for appearance and durability. Dulux Duralloy colours by approved applicator are optional.

Non-ferrous stainless or lightweight aluminium construction is optional.

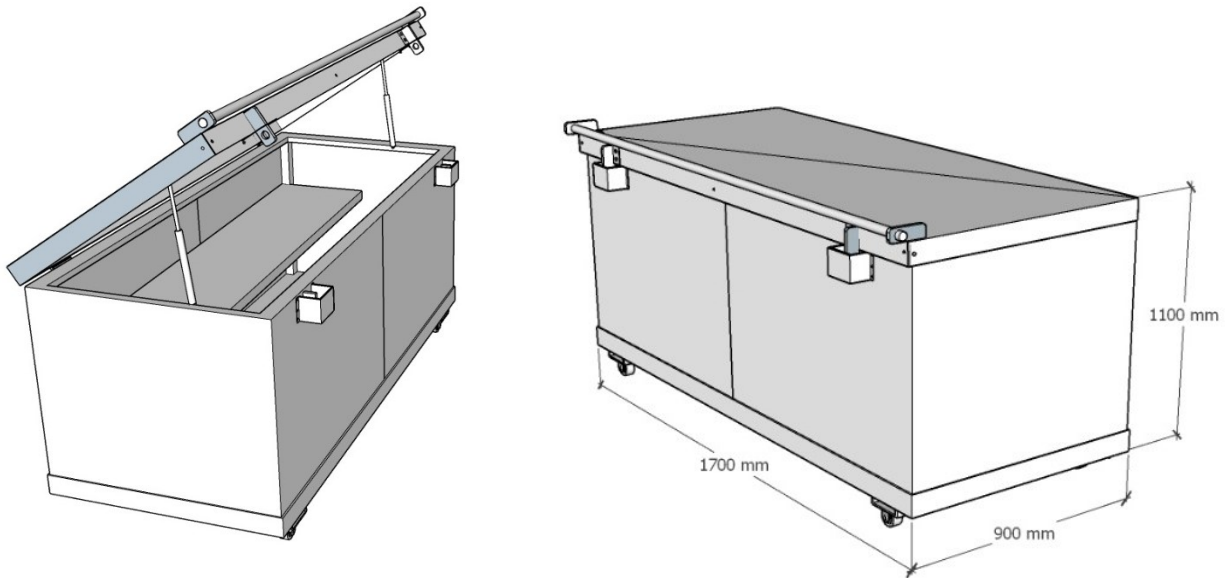
The Jaloc lockable storage cabinets are manufactured in New Zealand using CNC Technology and the latest sheet metal machinery.

The Jaloc proprietary design cabinets have been developed over the years to satisfy most job site tool storage needs.

Visit our web site @ [www.jaloc.co.nz](http://www.jaloc.co.nz)

**THE SMART, SPACE-SAVING WAY TO KEEP BULKY ITEMS CLEAN, SECURE AND CLOSE-AT-HAND  
MADE HERE IN NEW ZEALAND**

## JSB-1600-H Site Box



### Functional Specs

- 1700mm Wide x 900mm Deep x 1100mm High
- Internal volume is Approx. 1.6 cubic meters.
- The lid opening is 1650mm x 850mm.
- Made to order, dimensions customisable.

Visit our web site @ [www.jaloc.co.nz](http://www.jaloc.co.nz)

**THE SMART, SPACE-SAVING WAY TO KEEP BULKY ITEMS CLEAN, SECURE AND CLOSE-AT-HAND  
MADE HERE IN NEW ZEALAND**