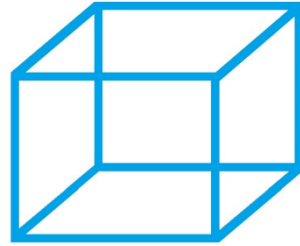


The Dual Level Storage Locker



Model Number, JDLL 3800

Product Summary

The New Zealand made Jaloc Dual Level – a folded sheet metal storage locker is architecturally suited for an apartment garage or basement car park area.

The custom designed Dual Level Storage Locker includes two levels of space designed for long and short things.

The upper level, 1.9 m³ is separated from the lower level with a folded reinforced sheet metal base which can be removed to give a total cabinet space of 3.8 M³ if required.

Access to the upper level is through a lifting door supported by two gas filled lifting struts fitted to each end of the door. This makes the opening process of lifting the door very easy.

The lower level, 1.9 m³ is accessible through optional hinged or sliding and locking doors.

The Dual Level Locker is made from folded galvanised panels and braces designed to give the locker maximum strength.

The cabinet panels and chassis are held together using stainless steel rivets and machine threaded, locking bolts.

The locker can be manufactured by request for outside use. Flashings and seals prevent water ingress, and construction is from galvanised sheet steel, hardened-pin hinges and stainless steel rivets.

The door hardware includes robust flush mounted pull handles and compression latch key operated barrel locking system. Painted butt hinges, and gas struts assist lifting the top hinged door.

Visit our web site @ www.jaloc.co.nz

**THE SMART, SPACE-SAVING WAY TO KEEP BULKY ITEMS CLEAN, SECURE AND CLOSE-AT-HAND
MADE HERE IN NEW ZEALAND**

Screw in height adjustable mounting feet are strategically placed to support the total loaded weight of the locker.

A perforated top panel is available when the locker is situated under a buildings sprinkler system.

Design and materials.

Frame and panels made from 16 and .090 Gauge Galvanised Steel Sheet.

Lockers are designed and manufactured in New Zealand to NZ standards using CNC technology and the latest in sheet metal machinery.

Exterior surface finish is powder coated for appearance and durability. Dulux Duralloy colours by approved applicator are standard.

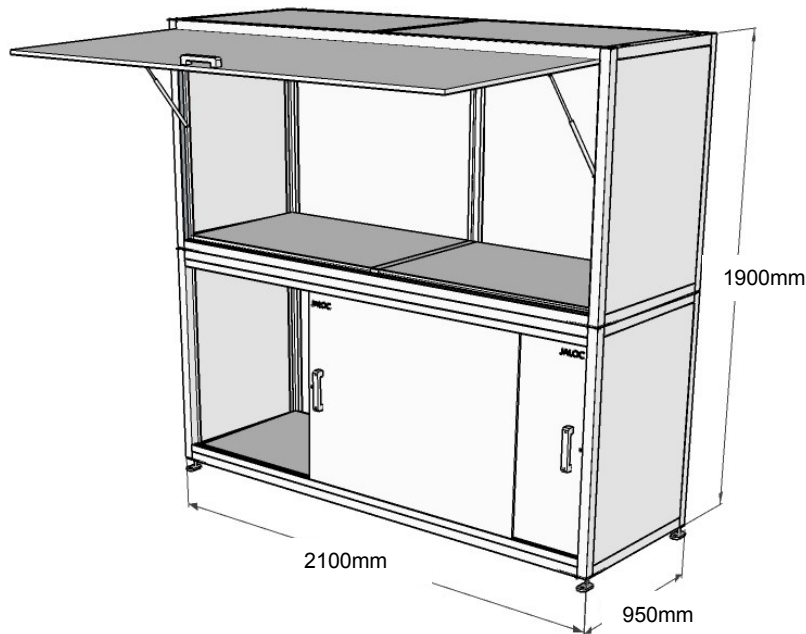
The unique Jaloc designed cabinets have been developed over the years to meet our customer's very demanding specifications for an attractive, strong and reliable container.



Visit our web site @ www.jaloc.co.nz

**THE SMART, SPACE-SAVING WAY TO KEEP BULKY ITEMS CLEAN, SECURE AND CLOSE-AT-HAND
MADE HERE IN NEW ZEALAND**

JDLL 3800- Dual Level Storage Locker



Functional Specs

- **Upper Compartment:** 950mm Deep x 950mm High x 2100mm Wide
- Internal volume is Approx. $1.9 m^3$
- Door opening 875mm High x 1960mm Wide
- **Lower Compartment:** 950mm Deep x 950mm High x 2100mm Wide
- Internal volume is Approx. $1.9 m^3$
- Door opening Hinged: Left and Right 950 High x 805mm Wide.
- Door opening Sliding: Left and Right 1000 High x 800mm Wide.

Visit our web site @ www.jaloc.co.nz

THE SMART, SPACE-SAVING WAY TO KEEP BULKY ITEMS CLEAN, SECURE AND CLOSE-AT-HAND
 MADE HERE IN NEW ZEALAND